

F-7: DRIVE TRAIN

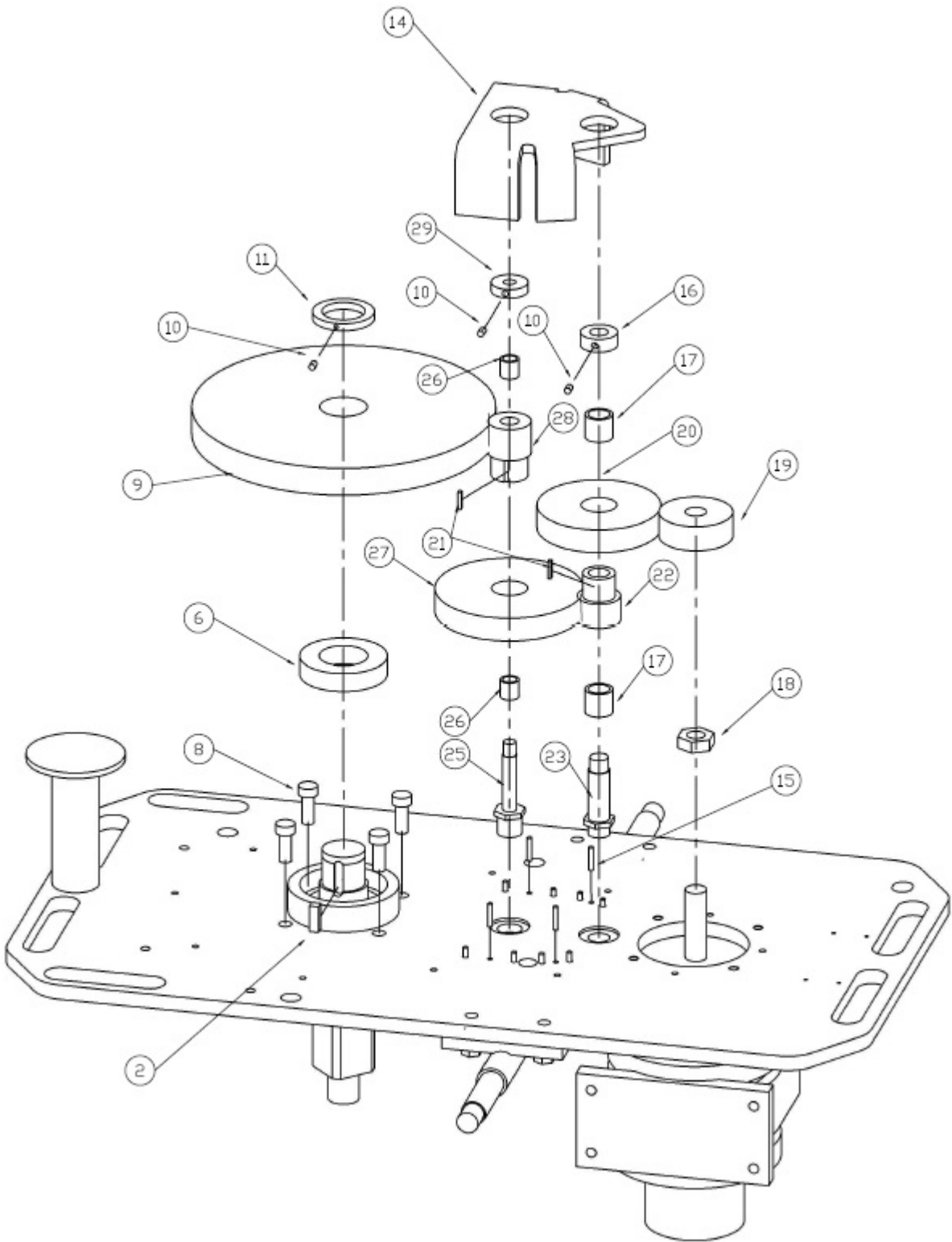


FIGURE 42

DRIVE TRAIN GROUP (C-10SL)

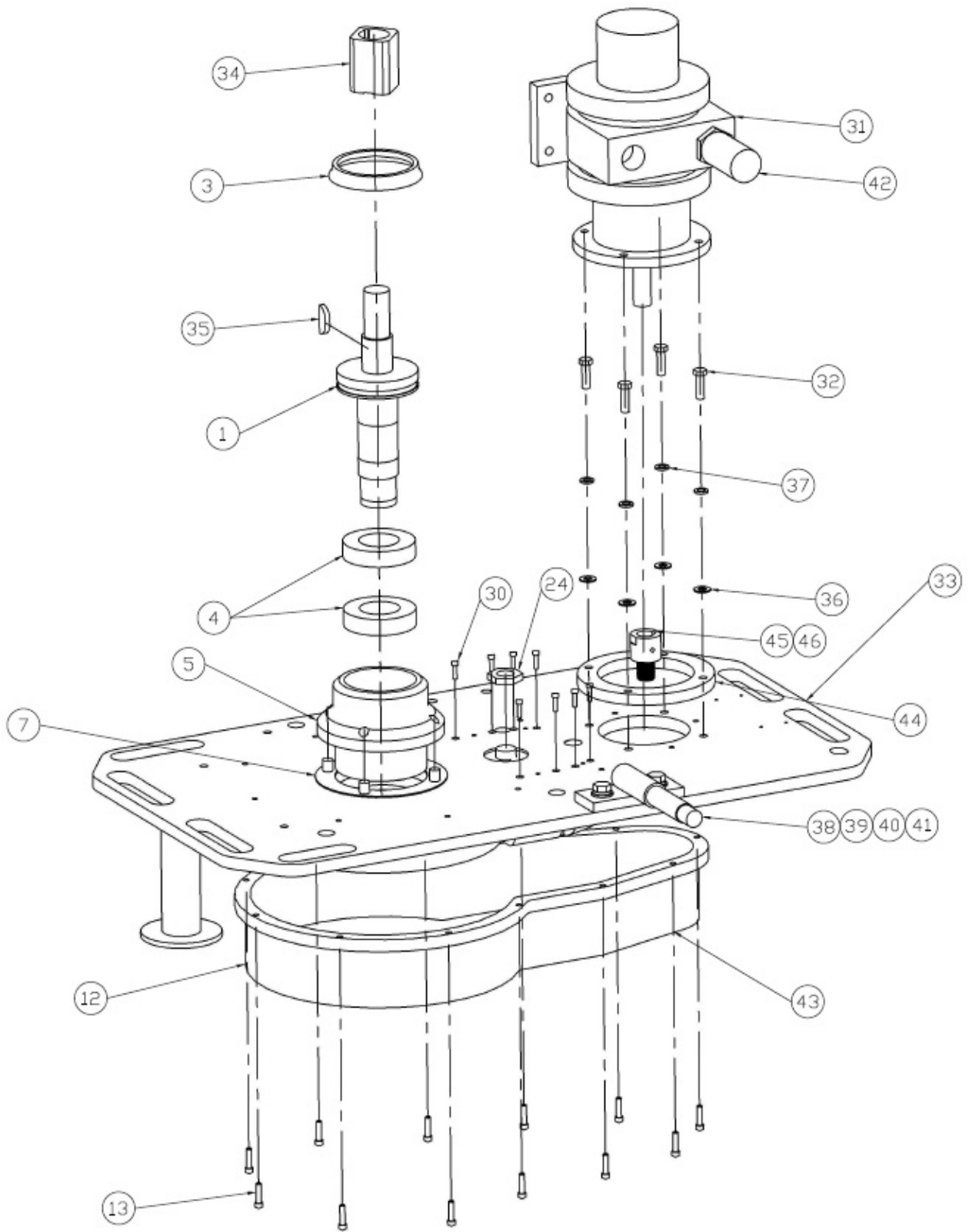


FIGURE 43

DRIVE TRAIN GROUP (C-10SL)

DRIVE TRAIN GROUP (C-10SL)

NO.	P/N	QTY.	DESCRIPTION
*1	705798	1	MAIN SHAFT
*2	900513	1	KEY-BULL GEAR
*3	705610	1	SEAL
*4	900062	2	BEARING-TOP
*5	705797	1	BEARING HOUSING
*6	900061	1	BEARING-BOTTOM
*7	900063	1	GASKET
*8	8048171	4	SOCKET HEAD SCREW
9	900206	1	BULL GEAR
10	8033090	3	SET SCREW
11	900044	1	LOCK NUT
12	705788	1	GEAR HOUSING
13	8043092	12	SOCKET HEAD SCREW
14	705799	1	SHAFT RETAINER
15	900210	4	DOWEL PIN
16	900209	1	COLLAR-THREADED R.H.
17	900047	2	BEARING
18	8150009	1	JAM NUT
19	705790	1	DRIVE GEAR THREADED
20	900048	1	GEAR-5"
21	900514	2	KEY
22	900049	1	GEAR – 1-3/4"
23	900051	1	SHAFT
24	900065	1	NUT
25	900213	1	SHAFT
26	900208	2	BEARING
27	900045	1	GEAR 6"
28	900207	1	GEAR –PINION
29	900230	1	COLLAR-THREADED L.H.
30	505125	8	SOCKET HEAD SCREW
**31	7202241	1	AIR MOTOR
32	8041053	4	CAP SCREW
33	705826	1	BASE PLATE
34	705364 OR 705234	1	BOWL DRIVE SLEEVE OR BOWL DRIVE SLEEVE (1" WEAR PLT.)
35	7901059	1	WOODRUFF KEY
36	8172009	4	WASHER
37	8177012	4	LOCK WASHER
38	705844	2	AXLE
39	8177014	4	LOCK WASHER
40	8172011	4	WASHER
41	8041095	4	BOLT
42	7905009	1	MUFFLER
43	7522314	1	ALLEN PLUG

44	705890	1	ADAPTER PLATE
45	705888	1	ADAPTER
46	8084088	2	SET SCREW

\*\*See page 52 for motor rebuild.

**NOTE:** For complete mainshaft assembly (excluding bull gear & locknut) order P/N 705877. Individual items marked with an (\*).