

F: PARTS

NOTE: FOR CONTINUED SAFE OPERATION OF GUN, ALL PARTS WILL NEED TO BE SOURCED FROM GUNITE SUPPLY.

F-1: MATERIAL FEED SYSTEM OPTIONS

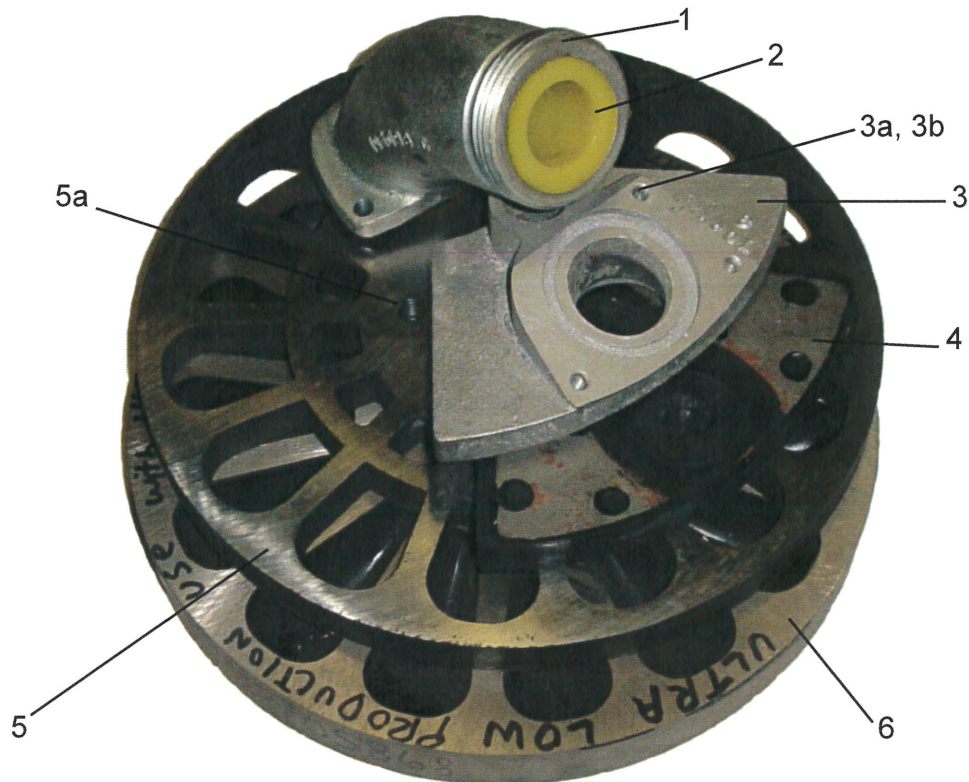


FIGURE 27

**ULTRA LOW PRODUCTION
3/4" – 1" MATERIAL LINE
1/8 – 1-1/2 TONS/HR [250 – 3000 LBS/HR]**

NO.	P/N	QTY	DESCRIPTION
1	705298	1	GOOSENECK
2	705349	1	GOOSENECK L INER
3	705303	1	GOOSENECK ADAPTER PLATE
3a	8041050	3	BOLT
3b	8177012	3	LOCKWASHER
4	705383	1	WEAR PAD
5	705453*	1	1" WEAR PLATE PREMIUM MTL.
5a	705395	2	LOCATOR PIN
6	705868	1	MATERIAL BOWL – HT METAL
7	705234	1	BOWL DRIVE SLEEVE (NOT SHOWN)

*Use of wear plate is optional. With the wear plate, output will still be below the low production feed system.

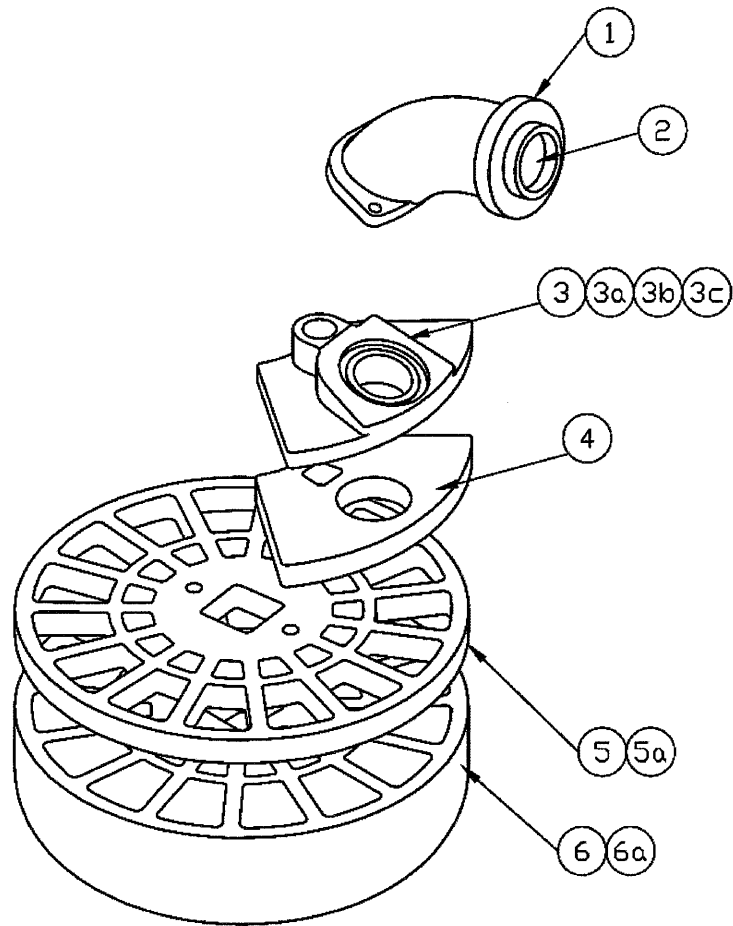


FIGURE 28

LOW PRODUCTION
1/2 - 4 TONS/HR [1000 - 8000 LBS/HR]

NO.	P/N	QTY.	DESCRIPTION
1	705298	1	GOOSENECK - 3-1/4"
2	705349	1	GOOSENECK LINER 1-1/2" ID
3	705094	1	GOOSENECK ADAPTER PLATE
3a	8041050	3	BOLT
3b	8177012	3	LOCKWASHER
4	705202	1	WEAR PAD
5	705453	1	1" WEAR PLATE-PREMIUM MTL.
5a	705395	2	LOCATOR PIN
6a	705450	1	MATERIAL BOWL-FLEXITE (YELLOW)
6b	N/A		STEEL MATERIAL BOWL
7	705234	1	BOWL DRIVE SLEEVE (NOT SHOWN)

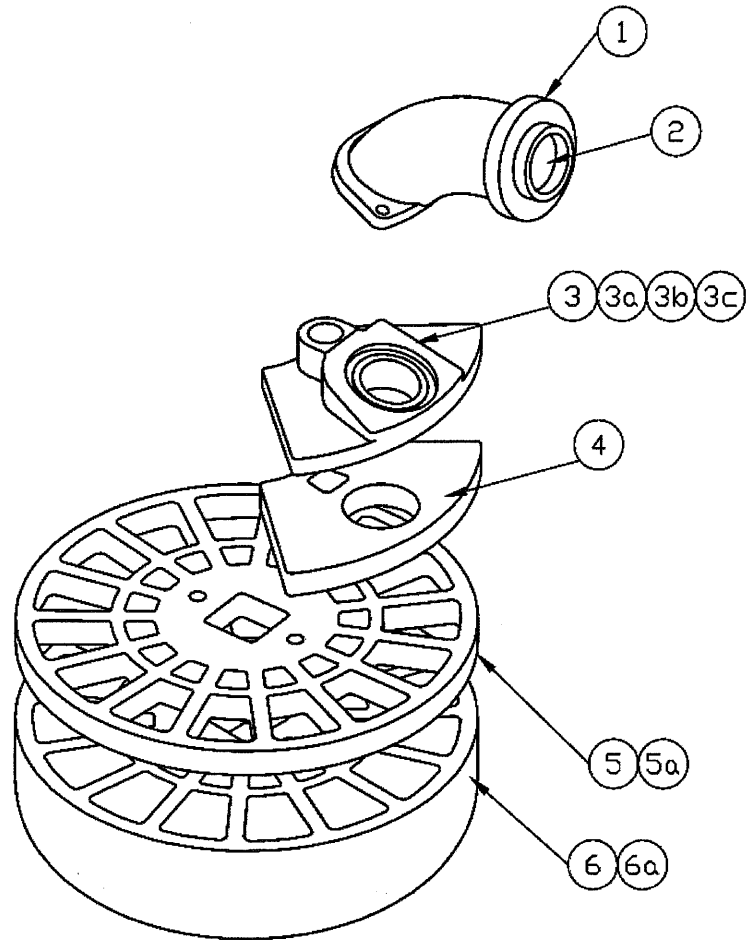


FIGURE 29

MEDIUM PRODUCTION
4 - 8 TONS/HR [8000 - 16000 LBS/HR]

NO.	P/N	QTY.	DESCRIPTION
1	705298	1	GOOSENECK - 3-1/4"
2	705423	1	GOOSENECK LINER 1-1/2" ID
3	705094	1	GOOSENECK ADAPTER PLATE
3a	8041050	3	BOLT
3b	8177012	3	LOCKWASHER
4	705202	1	WEAR PAD
5	705453	1	1" WEAR PLATE-PREMIUM MTL.
5a	705395	2	LOCATOR PIN
6a	705404	1	MATERIAL BOWL-FLEXLITE (RED)
6b	N/A		STEEL BOWL
7	705234	1	BOWL DRIVE SLEEVE (NOT SHOWN)

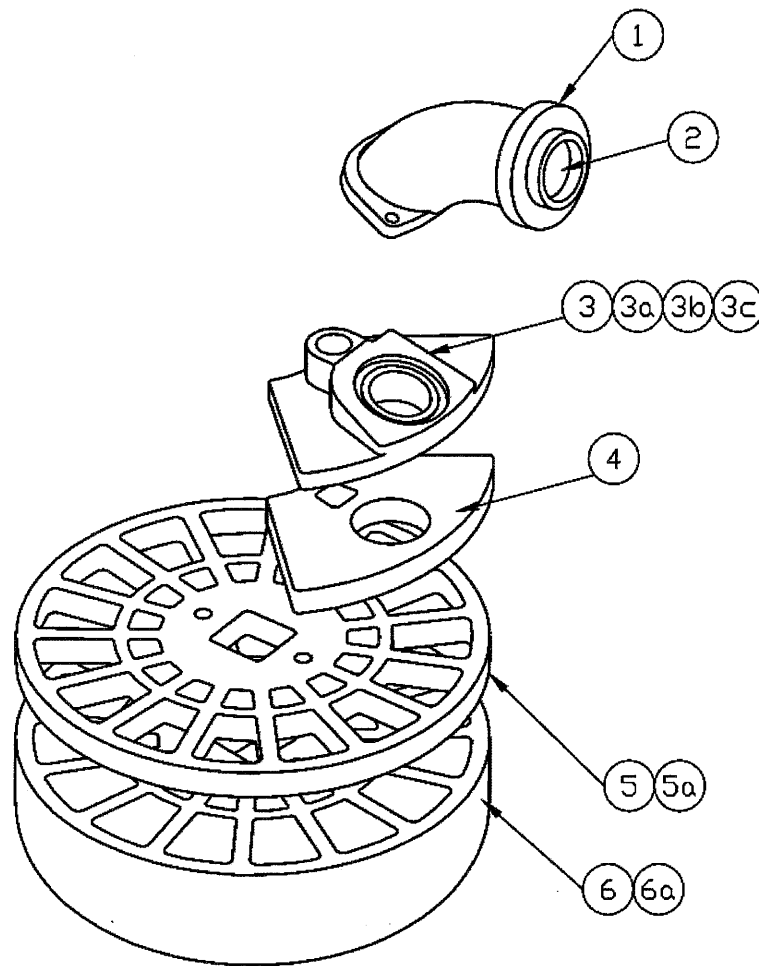


FIGURE 30

**HIGH PRODUCTION
8 - 14 TONS/HR [16000 - 28000 LBS/HR]**

NO.	P/N	QTY	DESCRIPTION
1	705093	1	GOOSENECK
2	705097	1	GOOSENECK L INER
3	705094	1	GOOSENECK ADAPTER PLATE
3a	8041050	3	BOLT
3b	8177012	3	LOCKWASHER
4	705202	1	WEAR PAD
5	705453	1	1" WEAR PLATE-PREMIUM MTL.
5a	705395	2	LOCATOR PIN
6a	705461	1	MATERIAL BOWL-FLEXLITE (ORG)
6b	705444	1	MATERIAL BOWL - STEEL
7	705234	1	BOWL DRIVE SLEEVE (NOT SHOWN)

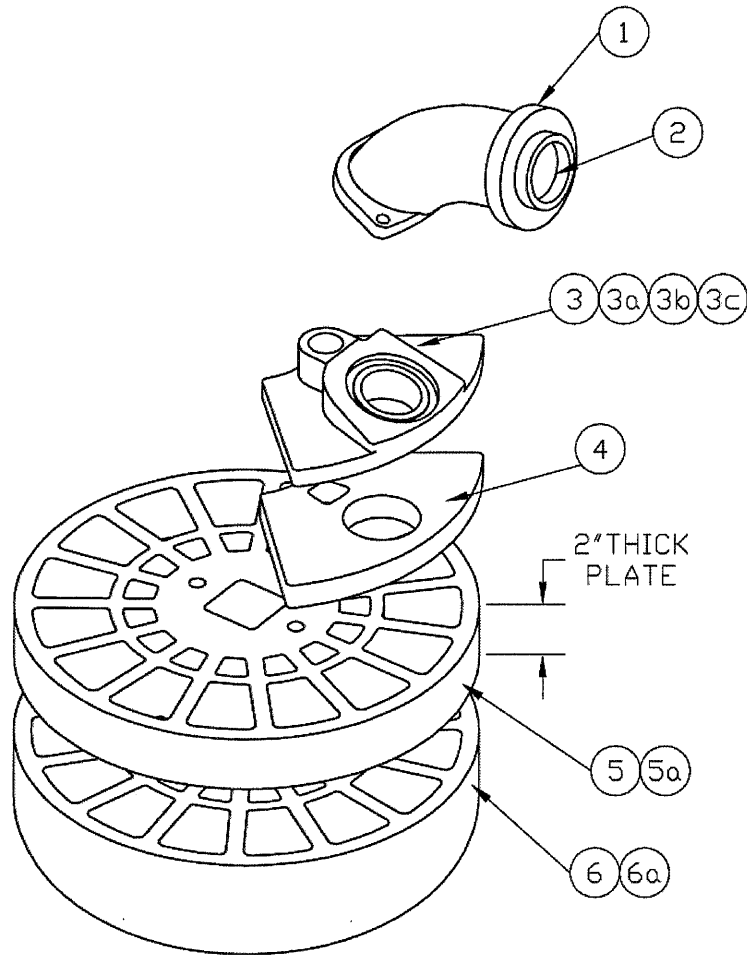


FIGURE 31

**EXTRA HIGH PRODUCTION
15 - 20 TONS/HR [30000 - 40000 LBS/HR]**

NO.	P/N	QTY	DESCRIPTION
1	705093	1	GOOSENECK
2	705097	1	GOOSENECK L INER
3	705094	1	GOOSENECK ADAPTER PLATE
3a	8041050	3	BOLT
3b	8177012	3	LOCKWASHER
4	705202	1	WEAR PAD
5	705454*	1	2" THICK WEAR PLATE
5a	705395	2	LOCATOR PIN
6a	705461	1	MATERIAL BOWL-FLEXLITE (ORG)
6b	705444	1	MATERIAL BOWL - STEEL
7	705364	1	BOWL DRIVE SLEEVE (NOT SHOWN)

*See page 39 when adapting from a gun with a 1" wear plate.

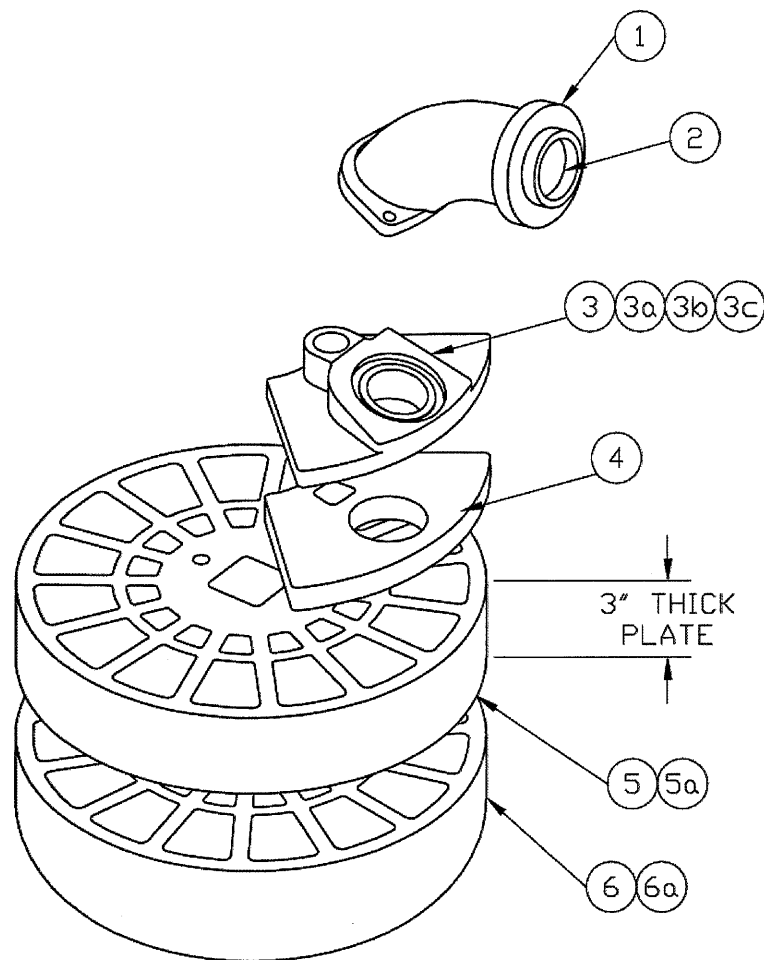


FIGURE 32

**ULTRA HIGH PRODUCTION
18 - 21 TONS/HR [36000 - 42000 LBS/HR]**

NO.	P/N	QTY	DESCRIPTION
1	705093	1	GOOSENECK
2	705097	1	GOOSENECK L INER
3	705094	1	GOOSENECK ADAPTER PLATE
3a	8041050	3	BOLT
3b	8177012	3	LOCKWASHER
4	705202	1	WEAR PAD
5	705681*	1	3" THICK WEAR PLATE ROUND CORNER
5a	705395	2	LOCATOR PIN
6a	705461	1	MATERIAL BOWL-FLEXLITE (ORG)
6a	705444	1	MATERIAL BOWL - STEEL
7	705364	1	BOWL DRIVE SLEEVE (NOT SHOWN)

*See page 39 when adapting from a gun with a 2" wear plate.

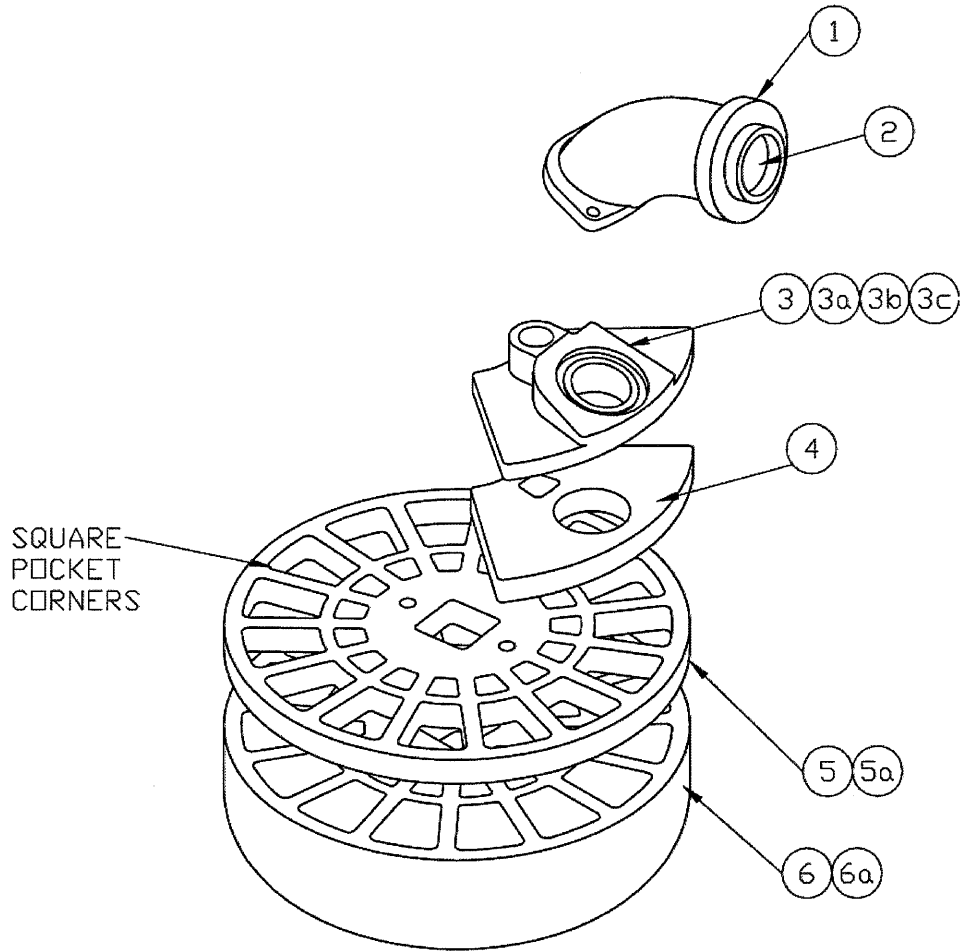


FIGURE 33

**OPTIONAL MATERIAL FEED SYSTEM
10 - 16 TONS/HR [20000 - 32000 LBS/HR]**

NO.	P/N	QTY	DESCRIPTION
1	705093	1	GOOSENECK
2	705097	1	2" GOOSENECK LINER
3	705094	1	GOOSENECK ADAPTER PLATE
3a	8041050	3	BOLT
3b	8177012	3	LOCKWASHER
4	705202	1	WEAR PAD
5	705091 OR 705554*	1	1" WEAR PLATE OR 2" SQ CORNER WEAR PLATE
5a	705395	2	LOCATOR PIN
6	705041	1	MATERIAL BOWL
7	705234 OR 705364	1	SHORT OR LONG BOWL DRIVE SLEEVE (NOT SHOWN)

*See page 39 when adapting from a gun with a 1" wear plate.

F-2: ADAPTING GUN FROM A 2" TO 3" WEAR PLATE

Step 1: Inspect hinge plate, which is welded to the base plate at the hopper pivot, to determine if your machine has two or three holes. See Figure 34. Guns built in 2006 or after should have the 3-hole hinge plate.

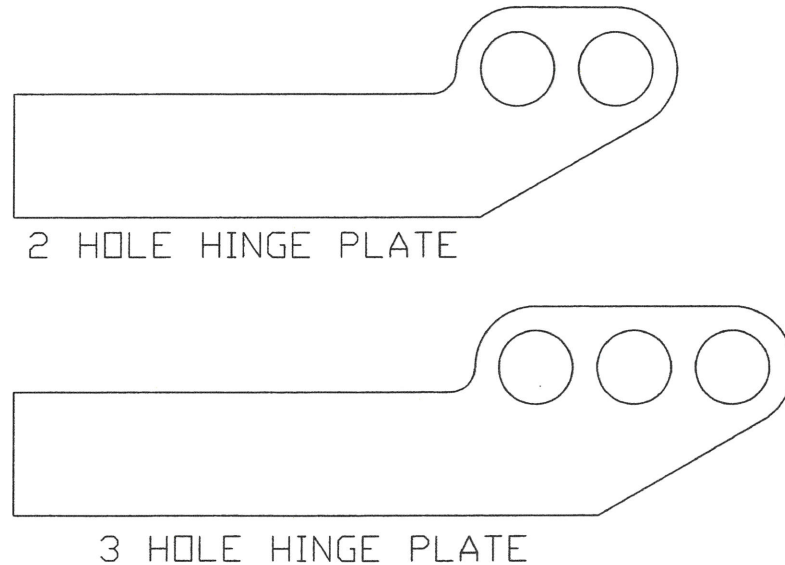


FIGURE 34

Step 2: If the gun has a 3-hole hinge plate, P/N 705707 (3" Riser Kit) will need to be ordered to adjust the hopper height. If the gun has a 2-hole hinge plate, P/N's 705707 (3" Riser Kit) and 705710 (3" Hinge Kit) will need to be ordered to adjust the hopper height.

Step 3: See Hopper Base Assembly, Figure 38, to choose a 3" agitator shaft or stub.

ADAPTING GUN FROM A 1" TO 2" WEAR PLATE

If a feed system with a 1" wear plate will no longer be used, P/N 705738 (2" Riser Kit including a 2" pad strap) should be ordered to adjust the hopper height. See Figure 40, item 3 for a pad strap reference. If feed systems with a 1" or 2" wear plate will be used, P/N 705737 (2" Riser Kit including a spacer for a 1" pad strap) should be ordered to adjust the hopper height.

NOTE: ONLY PAD STRAP & SHIELD FOR 2" CONFIGURATION COMPLIES TO CE GUARDING REQUIREMENTS.

F-3: HOPPER CONE OPTIONS

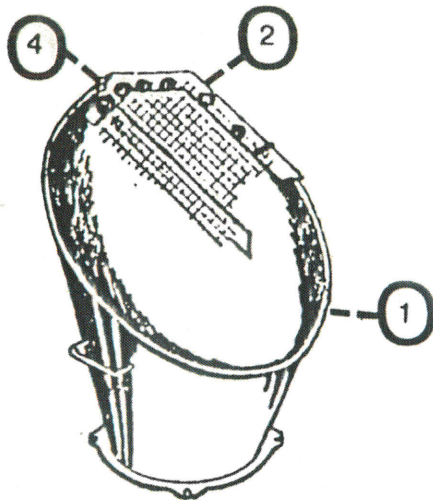


FIGURE 35

HIGH-BACK HOPPER CONE WITH SCREEN

NO.	PT.NO.	QTY	DESCRIPTION
1	705540	1	Hopper
2	705532	1	Screen Assy.
4	7901172	2	Securement Pins

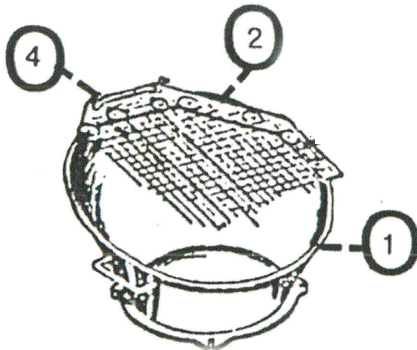


FIGURE 36

STANDARD HOPPER CONE WITH SCREEN

NO.	PT.NO.	QTY	DESCRIPTION
1	705506	1	Hopper
2	705532	1	Screen Assy.
4	7901172	2	Securement Pins

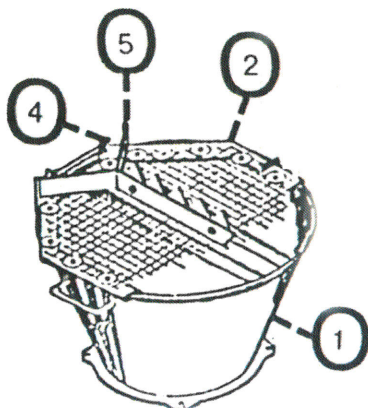


FIGURE 37

FLAT TOP HOPPER CONE WITH SCREEN and BAG BREAKER

NO.	PT.NO.	QTY	DESCRIPTION
1	705526	1	Hopper
2	705532	1	Screen Assy.
4	7901172	2	Securement Pins
5	705531	1	Bag Breaker

F-4: HOPPER BASE ASSEMBLY

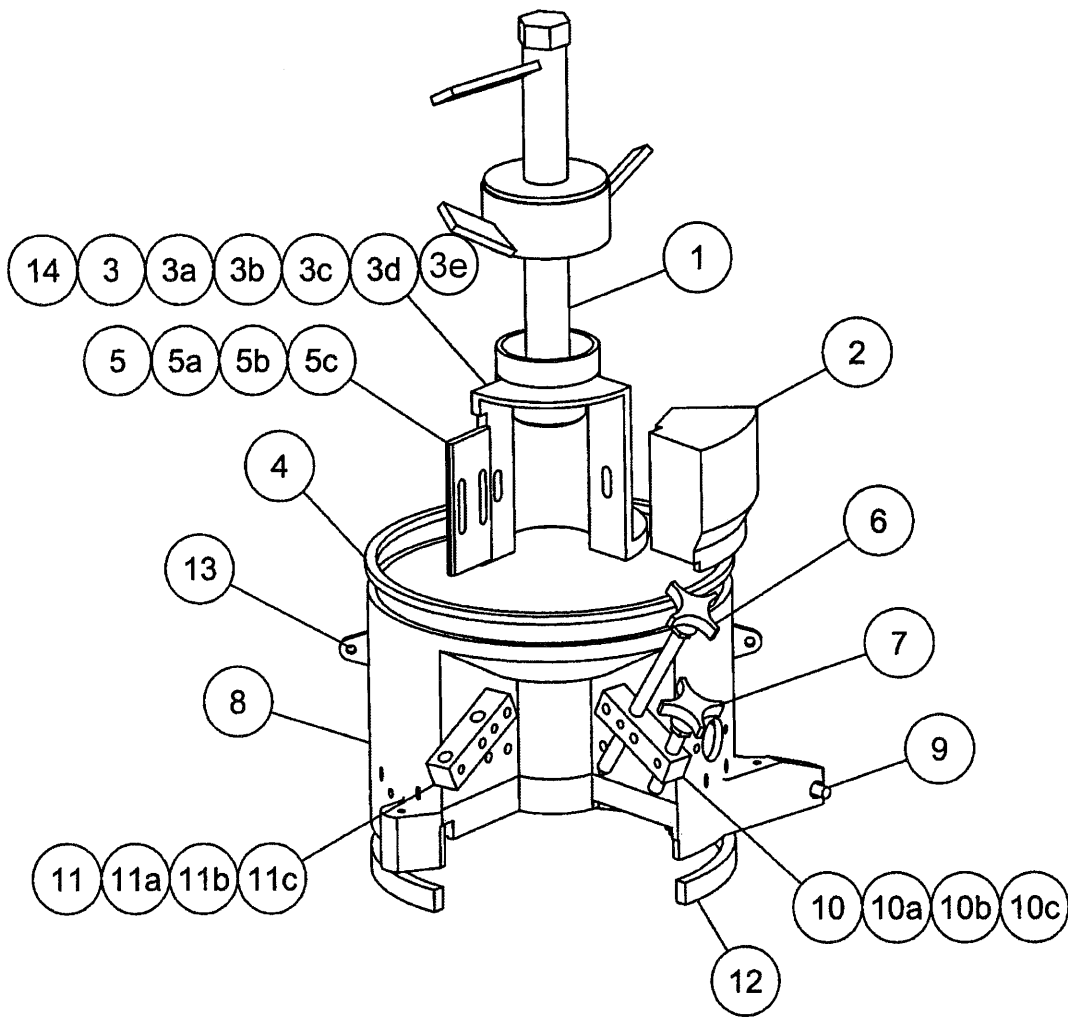


FIGURE 38

HOPPER BASE ASSEMBLY

NO.	P/N	QTY	DESCRIPTION
1a	705412	1	AGITATOR SHAFT (1" OR 2" WEAR PLATE)
1b	705867*	1	AGITATOR STUB (1" OR 2" WEAR PLATE)
1c	705684	1	AGITATOR SHAFT (3" WEAR PLATE)
1d	705697*	1	AGITATOR STUB (3" WEAR PLATE)
2	705379	1	EXHAUST CHAMBER
3	705354	1	POCKET SHIELD
3a	8024062	2	BOLT
3b	8177012	2	LOCKWASHER
3c	8142003	2	NUT
3d	705375	2	SHIELD BRACE
3e	8172009	2	FLAT WASHER
4	705376	1	RUBBER SEAL
5	705229	1	ROCK SHEAR
5a	8024059	2	BOLT
5b	8177012	2	LOCKWASHER
5c	8143003	2	NUT
6	705263	2	PAD HOLD DOWN SCREW - LONG
7	705264	2	PAD HOLD DOWN SCREW - SHORT
8	705084	1	HOPPER BASE
9	705502	1	PIVOT PIN
10	705331	1	SCREW LUG - RIGHT
10a	8041052	2	BOLT
10b	8177012	2	LOCKWASHER
10c	8172009	2	FLAT WASHER
11	705212	1	SCREW LUG - LEFT
11a	8041053	2	BOLT
11b	8177012	2	LOCKWASHER
11c	8172009	2	FLAT WASHER
12	705248	1	FELT SEAL
13	705702	3	YOKE ASSEMBLY
14	705578	1	POCKET SHIELD SUPPORT (OPTIONAL)

*Allows hopper to tilt open without stub removal but does not agitate material.

F-5: YOKE ASSEMBLY (705702)

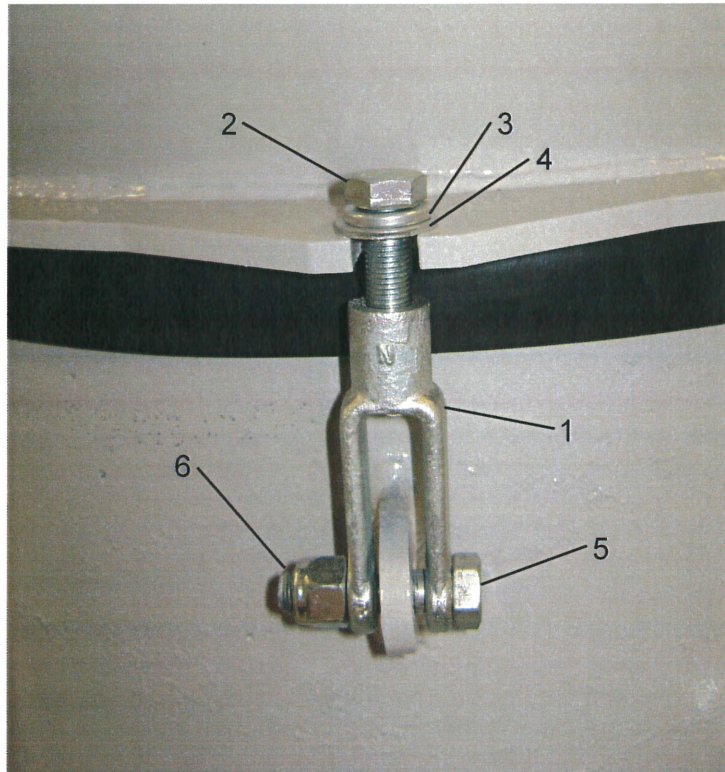


FIGURE 39

NO.	P/N	QTY	DESCRIPTION
1	644220	1	YOKE
2	8045052	1	BOLT
3	8177012	1	LOCKWASHER
4	8172009	1	FLATWASHER
5	8041052	1	BOLT
6	8160003	1	LOCKNUT

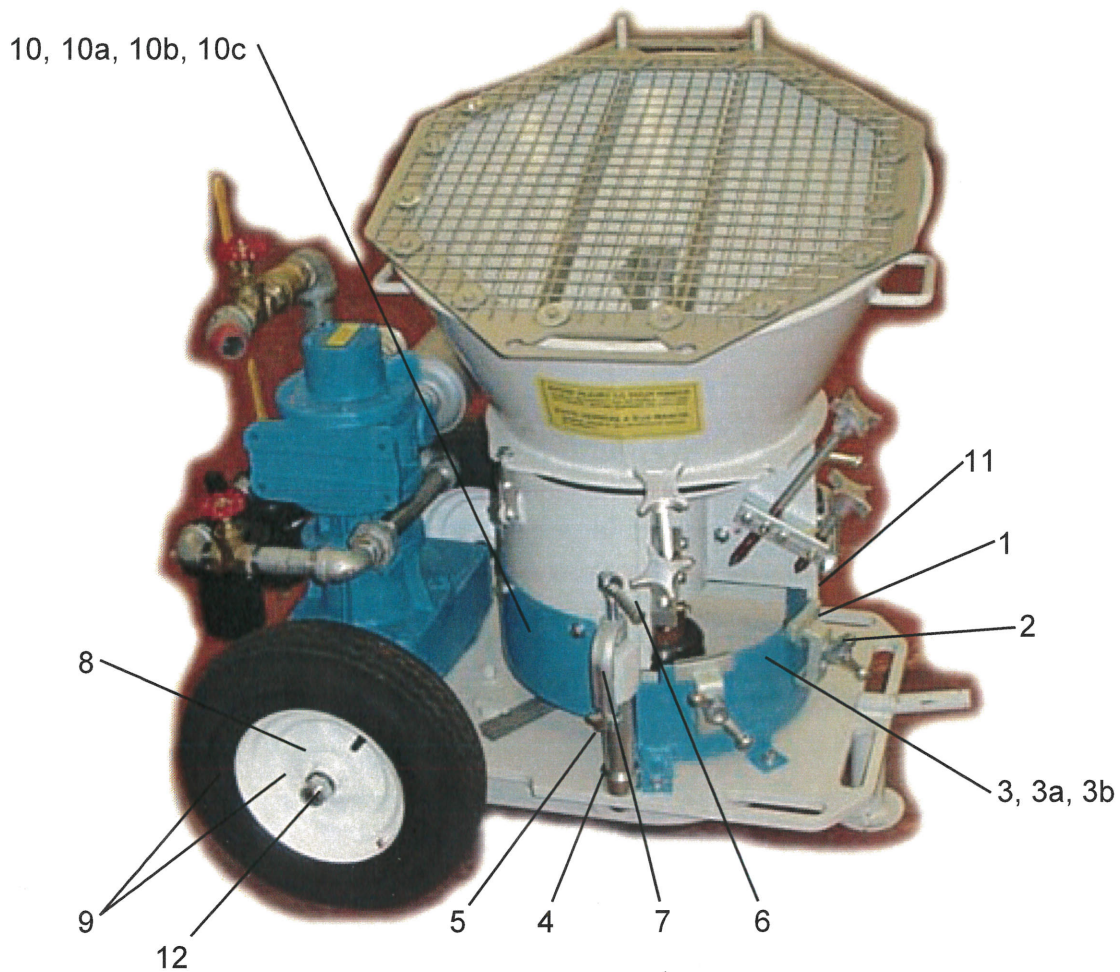


FIGURE 40

NO.	P/N	QTY	DESCRIPTION
1	705363	2	PAD CLAMP
2	705441	2	WING NUT
3	705500 OR 720981	1	PAD STRAP-1" WEAR PLATE (5.5" OVERALL HEIGHT) OR PAD STRAP-2" WEAR PLATE (6.5" OVERALL HEIGHT)
3a	8041050	3	BOLT
3b	8177012	3	LOCKWASHER
4	705371	3	SPACER - 1"
5	705209	3	STAND
6	705254	3	TIE DOWN SCREW
7	705078	3	TIE DOWN CLAMP
8	705844	2	AXLE MOUNT
9	7704053	2	WHEEL & TIRE ASSY
10	720982	1	REAR SHIELD (BREAK OFF BOTTOM SECTION FOR 1" WEAR PLATE APPLICATION)
10a	8041050	3	BOLT
10b	8177012	3	LOCKWASHER
10c	8172009	3	FLAT WASHER
11	9475004	1	SIDE EXHAUST PLUG
12	8161009	2	LOCK NUT

F-6: AIR PLUMBING

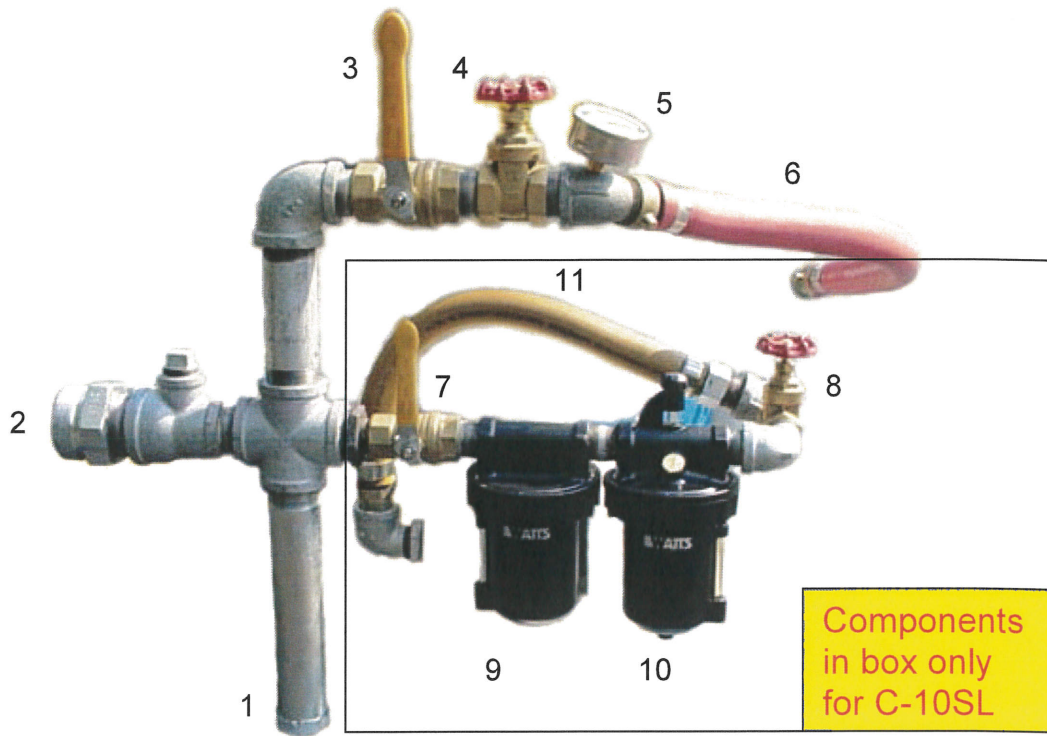


FIGURE 41

AIR ASSEMBLY

NO.	P/N	QTY	DESCRIPTION
1	705505	1	BASE
2	7504159	1	AIR SPUD
3	7203346	1	1-1/4" BALL VALVE W/ LOCKABLE HANDLE
4	7203075	1	1-1/4" GATE VALVE
5	613651	1	GAUGE
6	705240	1	1-1/4" RED HOSE
7 (C-10SL only)	7203345	1	1" BALL VALVE W/ LOCKABLE HANDLE
8 (C-10SL only)	7203080	1	1" GATE VALVE
9 (C-10SL only)	7210062	1	FILTER
10 (C-10SL only)	7210061	1	LUBRICATOR
11 (C-10SL only)	705843	1	1" YELLOW HOSE

F-7: DRIVE TRAIN

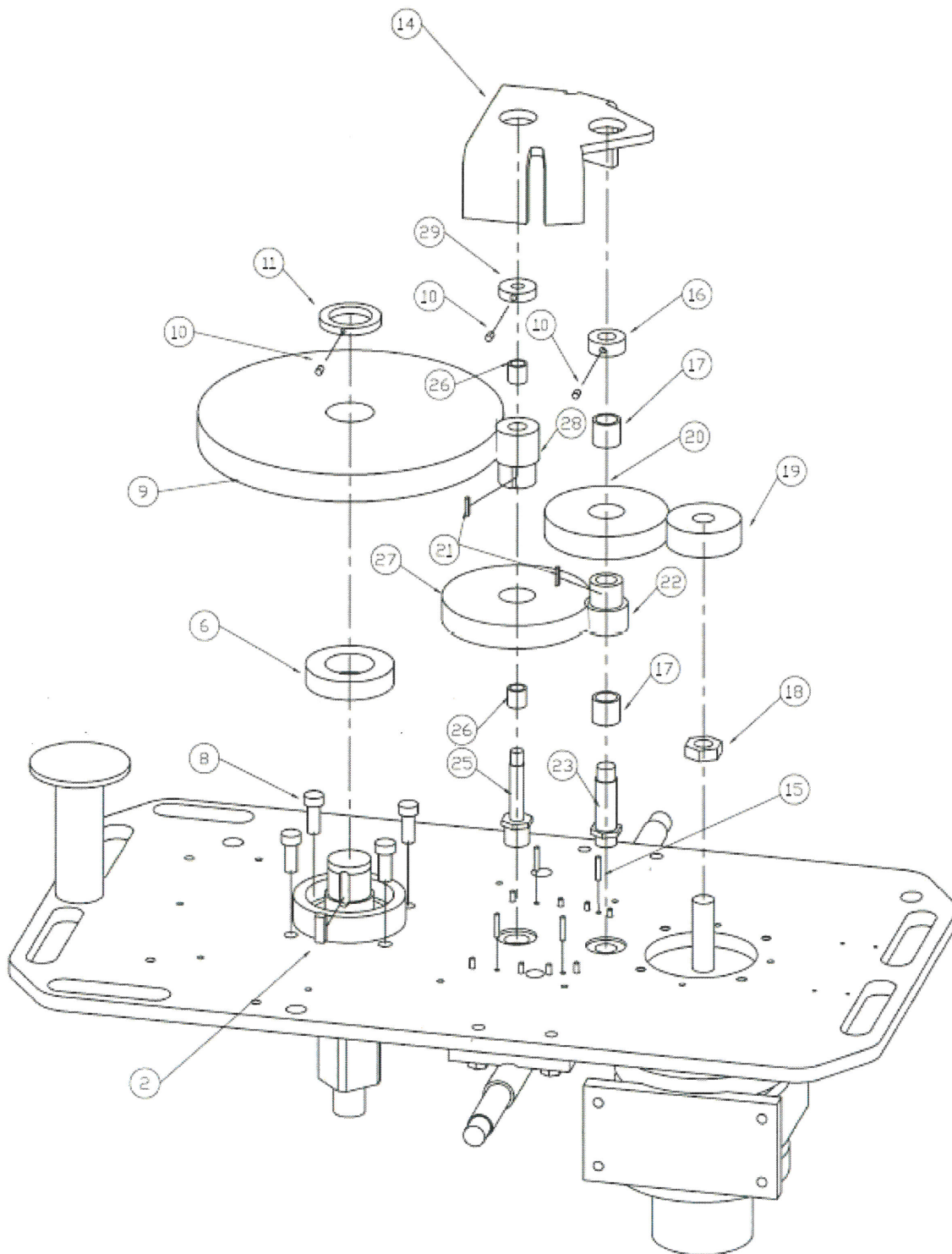


FIGURE 42

DRIVE TRAIN GROUP (C-10SL)

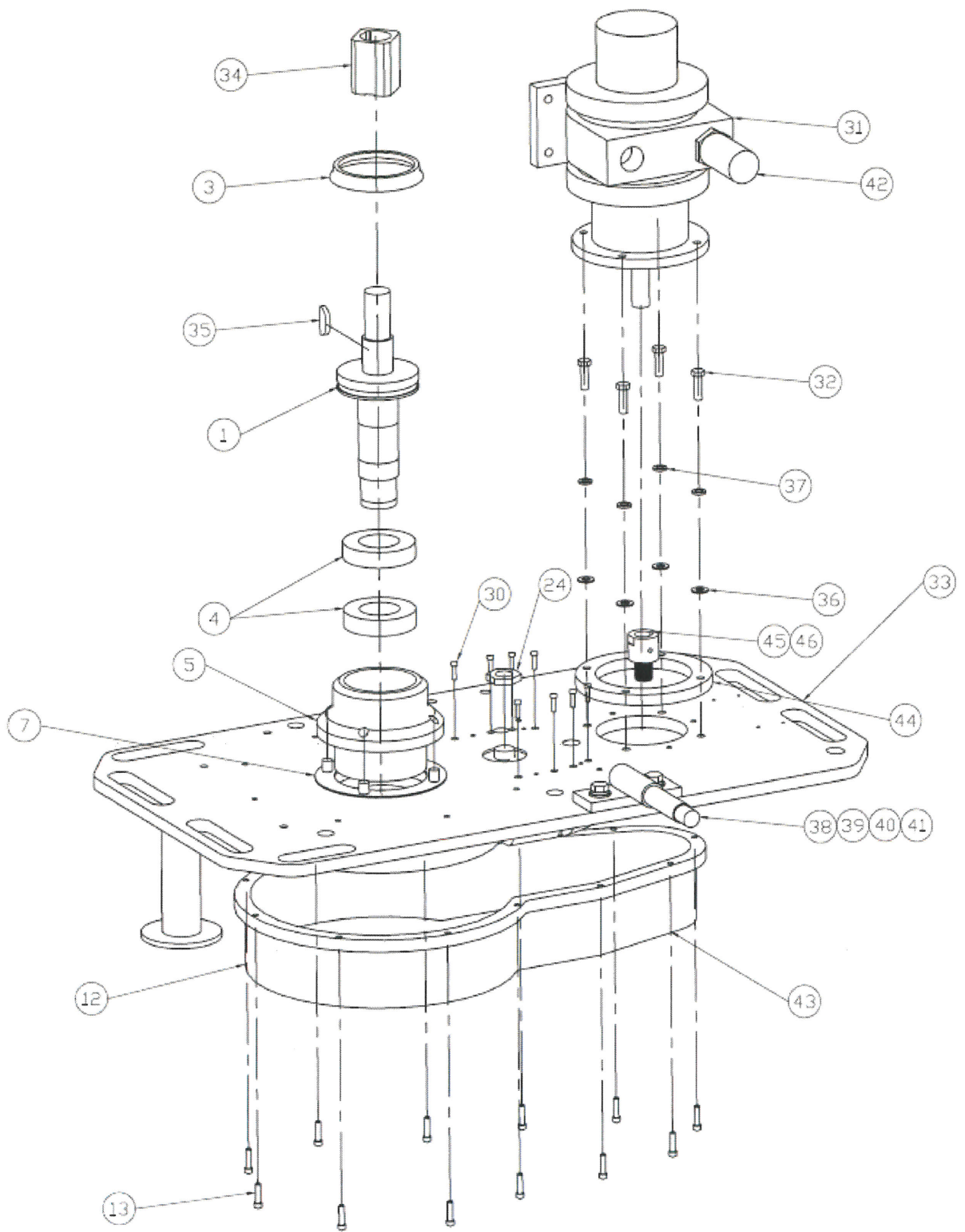


FIGURE 43

DRIVE TRAIN GROUP (C-10SL)

DRIVE TRAIN GROUP (C-10SL)

NO.	P/N	QTY.	DESCRIPTION
*1	705798	1	MAIN SHAFT
*2	900513	1	KEY-BULL GEAR
*3	705610	1	SEAL
*4	900062	2	BEARING-TOP
*5	705797	1	BEARING HOUSING
*6	900061	1	BEARING-BOTTOM
*7	900063	1	GASKET
*8	8048171	4	SOCKET HEAD SCREW
9	900206	1	BULL GEAR
10	8033090	3	SET SCREW
11	900044	1	LOCK NUT
12	705788	1	GEAR HOUSING
13	8043092	12	SOCKET HEAD SCREW
14	705799	1	SHAFT RETAINER
15	900210	4	DOWEL PIN
16	900209	1	COLLAR-THREADED R.H.
17	900047	2	BEARING
18	8150009	1	JAM NUT
19	705790	1	DRIVE GEAR THREADED
20	900048	1	GEAR-5"
21	900514	2	KEY
22	900049	1	GEAR - 1-3/4"
23	900051	1	SHAFT
24	900065	1	NUT
25	900213	1	SHAFT
26	900208	2	BEARING
27	900045	1	GEAR 6"
28	900207	1	GEAR -PINION
29	900230	1	COLLAR-THREADED L.H.
30	505125	8	SOCKET HEAD SCREW
**31	7202241	1	AIR MOTOR
32	8041053	4	CAP SCREW
33	705826	1	BASE PLATE
34	705364 OR 705234	1	BOWL DRIVE SLEEVE OR BOWL DRIVE SLEEVE (1" WEAR PLT.)
35	7901059	1	WOODRUFF KEY
36	8172009	4	WASHER
37	8177012	4	LOCK WASHER
38	705844	2	AXLE
39	8177014	4	LOCK WASHER
40	8172011	4	WASHER
41	8041095	4	BOLT
42	7905009	1	MUFFLER
43	7522314	1	ALLEN PLUG

44	705890	1	ADAPTER PLATE
45	705888	1	ADAPTER
46	8084088	2	SET SCREW

**See page 52 for motor rebuild.

NOTE: For complete mainshaft assembly (excluding bull gear & locknut) order P/N 705877. Individual items marked with an (*).